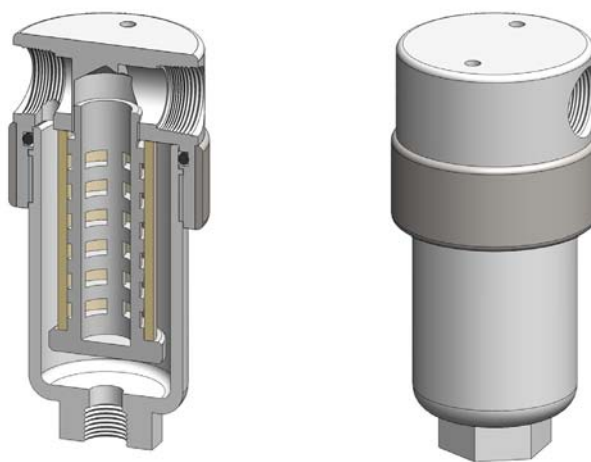


Materials	PTFE
Pressure	7 Bar
Ports	1/4" or 1/2"
Element	25.64.□

FF211 series filter housings are specified for 1/4" & 1/2" line size applications where a PTFE material is required. FF111 or FF121 series housings should be considered for applications where response time is important. Where a longer service time is required the larger FF231 series housings are available.

Standard housings have NPT ports and a Viton seal. Other seal types are available as an option. BSPT and BSPP port types are also available.

Due to the nature of PTFE the housings are fitted with a 316L stainless steel collar on the head.



Technical Specifications

Housing Model	FF211.201	FF211.221	FF211.401	FF211.421
Port Size	1/4" NPT	1/4" NPT	1/2" NPT	1/2" NPT
Drain	None	1/4" NPT	None	1/4" NPT
Maximum Pressure, Bar	7	7	7	7
Maximum Temperature, °C	150	150	150	150
Materials of Construction (1)				
Head, Bowl & Internals	PTFE	PTFE	PTFE	PTFE
Seal (2)	Viton	Viton	Viton	Viton
Filter Element Code (3)	25.64.□	25.64.□	25.64.□	25.64.□
Adsorber Cartridge Code (4)	25.64.AT□	25.64.AT□	25.64.AT□	25.64.AT□
Principal Dimensions in mm				
Diameter	60	60	60	60
Height	128.5	128.5	128.5	128.5
Volume, cc	90	90	90	90
Weight, kg	0.47	0.47	0.47	0.47
Accessories				
Mounting Bracket	MBSS21	MBSS21	MBSS21	MBSS21

Notes

(1) Material abbreviations, PTFE = Polytetrafluoroethane

(2) Add suffix for other seal types, PTFE = .T, Chemraz = .C, Nitrile = N, Kalrez = .K, EPDM = .E, Silicone = .S, (e.g. FF211.221.T)

(3) Replace the □ with the grade required, e.g. 25.64.5CK, 25.64.T20

(4) Replace the □ with the type required, e.g. 25.64.AT01