

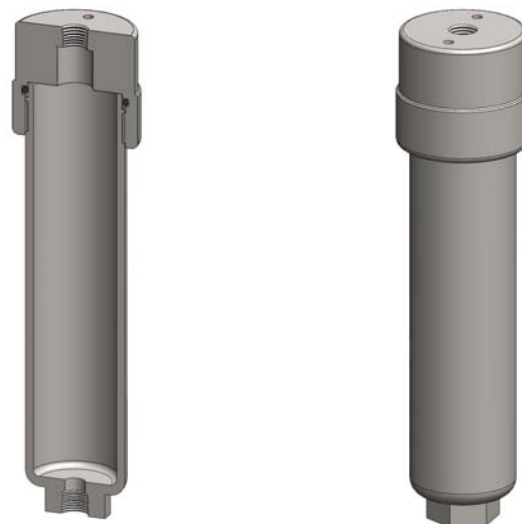
Materials 316L SS
Pressure 100 Bar
Ports 1/4" or 1/2"

The DS235 drain vessels are specified to increase the housing capacity in coalescing applications where an automatic float drain cannot be used. They are constructed entirely from 316L stainless steel.

Standard housings have NPT ports and include a Viton seal. Other seal types are available as an option. BSPT and BSPP port types are also available.

The housings are free from welds and comply with NACE MR-01-75 and conform to SEP of the PED 97/23/EC.

These housings can also be supplied in a wide range of exotic materials, such as Hastelloy, Monel, Titanium etc.



Technical Specifications

Housing Model	DS235.221	DS235.441
Port Size	1/4" NPT	1/2" NPT
Drain	1/4" NPT	1/2" NPT
Maximum Pressure, Bar (1)	100	100
Maximum Temperature, °C (2)	200	200
Materials of Construction (3)		
Head & Bowl	316L SS	316L SS
Seal (4)	Viton	Viton
Principal Dimensions in mm		
Diameter	63	63
Height	241.5	421.5
Volume, cc	255	255
Weight, kg	1.9	1.9

Notes

(1) Above 200°C the pressure rating is reduced, consult us for the exact rating at any specific temperature

(2) Maximum temperature 200°C using standard seal. For temperatures up to 324°C use a Chemraz seal

(3) Material abbreviations, 316L SS = 316L Stainless Steel

(4) Add suffix for other seal types, PTFE = .T, Chemraz = .C, Nitrile = N, Kalrez = .K, EPDM = .E, Silicone = .S, (e.g. DS235.221.T)