

SS426 & SHS426 Filter Housing

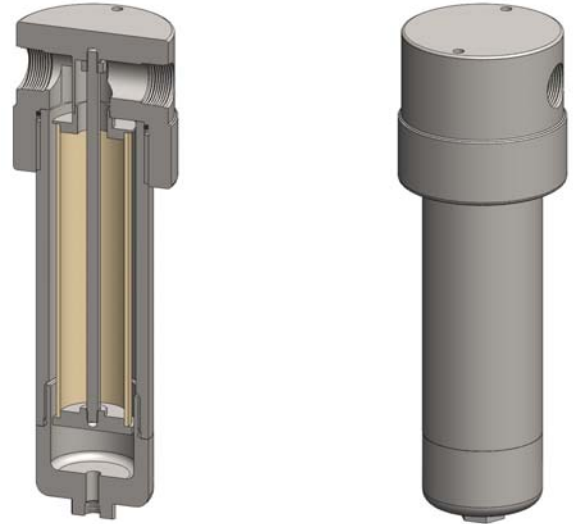
Materials	316L Stainless Steel
Pressure	200 Bar
Ports	1" to 2"
Element	51.230.□

SS426 series filter housings are specified for 1" line size applications up to 200 bar. The SHS426 series are for 1&1/2" and 2" applications and are designed to have a full bore flow path to give higher flow rates. For applications over 200 Bar high pressure versions are available, see the SS428 filter housings.

Standard housings have NPT ports and Viton seals. Other seal types are available as an option. BSPT and BSPP port types are also available.

The housings are free from welds and comply with NACE MR-01-75 and are CE marked in accordance with PED 97/23/EC.

These housings can also be supplied in a wide range of exotic materials, such as Hastelloy, Monel, Titanium etc.



Technical Specifications

Housing Model	SS426.621	SS426.641	SHS426.721	SHS426.741	SHS426.821	SHS426.841
Port Size	1" NPT	1" NPT	1&1/2" NPT	1&1/2" NPT	2" NPT	2" NPT
Drain	1/4" NPT	1/2" NPT	1/4" NPT	1/2" NPT	1/4" NPT	1/2" NPT
Maximum Pressure, Bar (1)	200	200	200	200	200	200
Maximum Temperature, °C (2)	200	200	200	200	200	200
Materials of Construction (3)						
Head, Bowl & Internals	316L SS	316L SS	316L SS	316L SS	316L SS	316L SS
Seal (4)	Viton	Viton	Viton	Viton	Viton	Viton
Filter Elements Code (5)	51.230.□	51.230.□	51.230.□	51.230.□	51.230.□	51.230.□
Adsorber Cartridge Code (6)	51.230.AD□	51.230.AD□	51.230.AD□	51.230.AD□	51.230.AD□	51.230.AD□
Principal Dimensions in mm						
Diameter	110	110	180	180	180	180
Height	388	388	418	418	428	428
Volume, cc	1400	1400	1450	1450	1450	1450
Weight, kg	7.8	7.8	38	38	41	41
Accessories						
Support Core	SCSS42	SCSS42	SCSS42	SCSS42	SCSS42	SCSS42
Mounting Bracket	MBSS42	MBSS42	MBSHS42	MBSHS42	MBSHS42	MBSHS42

Notes

(1) Above 200°C the pressure rating is reduced, consult us for the exact rating at any specific temperature

(2) Maximum temperature 200°C using standard seal. For temperatures up to 324°C use a Chemraz seal

(3) Material abbreviations, 316L SS = 316L Stainless Steel

(4) Add suffix for other seal types, Chemraz = .C, Nitrile = .N, Kalrez = .K, EPDM = .E, Silicone = .S, (e.g. SS425.621.N)

(5) Replace the □ with the grade required, e.g. 51.230.5CK, 51.230.S20V, 51.230.T20

(6) Replace the □ with the type required, e.g. 51.230.AD01