

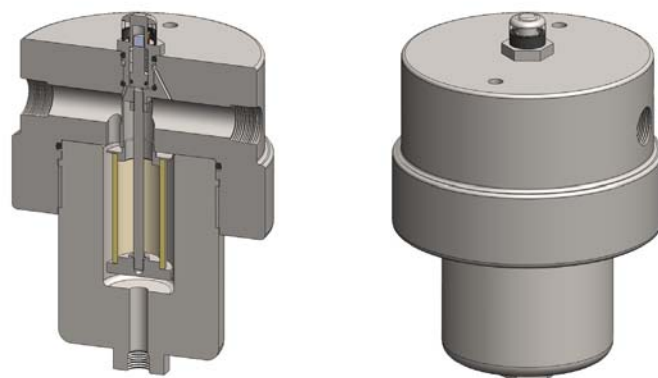
Materials	316L Stainless Steel
Pressure	700 Bar
Ports	1/4" or 1/2"
Element	25.64.□

SiS219 series filter housings with differential pressure indicator are specified for 700 Bar 1/4" line size and for 1/2" applications where response time must be kept short. If the flow rate or contamination is high, or where service intervals must be kept as long as possible, SS239 series housings should be considered. For applications at lower pressures see the SS215, SS216, and SS218 series housings.

Standard housings have NPT ports and Viton seals. Other seal types are available as an option. BSPT and BSPP port types are also available.

The housings are free from welds and comply with NACE MR-01-75 and are CE marked in accordance with PED 97/23/EC.

These housings can also be supplied in a wide range of exotic materials, such as Hastelloy, Monel, Titanium etc.



Technical Specifications

Housing Model	SiS219.201	SiS219.221	SiS219.401	SiS219.421	SiS21.441
Port Size	1/4" NPT	1/4" NPT	1/2" NPT	1/2" NPT	1/2" NPT
Drain	None	1/4" NPT	None	1/4" NPT	1/2" NPT
Maximum Pressure, Bar (1)	700	700	700	700	700
Maximum Temperature, °C (2)	100	100	100	100	100
Materials of Construction (3)					
Head, Bowl & Internals	316L SS	316L SS	316L SS	316L SS	316L SS
Seal (4)	Viton	Viton	Viton	Viton	Viton
Filter Elements Code (5)	25.64.□	25.64.□	25.64.□	25.64.□	25.64.□
Adsorber Cartridge Code (6)	25.64.AD□	25.64.AD□	25.64.AD□	25.64.AD□	25.64.AD□
Principal Dimensions in mm					
Diameter	140	140	140	140	140
Height	208.5	201.5	201.5	201.5	201.5
Volume, cc	175	175	175	175	175
Weight, kg	16.2	16.2	16.2	16.2	16.2
Accessories					
Support Core	SCSS21	SCSS21	SCSS21	SCSS21	SCSS21
Mounting Bracket	MBSiS219	MBSiS219	MBSiS219	MBSiS219	MBSiS219

Notes

- (1) Maximum temperature 100°C due to differential pressure indicator
- (2) Material abbreviations, 316L SS = 316L Stainless Steel
- (3) Add suffix for other seal types, Chemraz = .C, Nitrile = N, Kalrez = .K, EPDM = .E, Silicone = .S, (e.g. SiS219.221.E)
- (4) Replace the □ with the grade required, e.g. 25.64.5CK, 25.64.S20V, 25.64.T20
- (5) Replace the □ with the type required, e.g. 25.64.AD01
- (6) Change part number to SeS219 for the electrical DPI version