

SV127

Inverted Coalescing Filter Housing

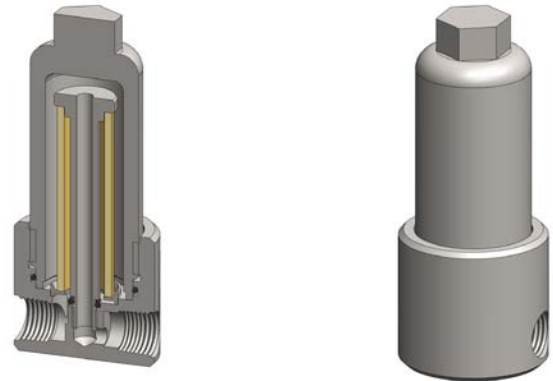
Materials	316L Stainless Steel
Pressure	350 Bar
Ports	1/8" or 1/4"
Element	12.57.□

SV127 series filter housings are specified for 1/8" & 1/4" line size coalescing applications. The housing is designed so the ports and drain connection are all arranged in the head. This means that the drain does not have to be disconnected to change the filter element and the element remains vertical which is the correct orientation for efficient coalescing.

Standard housings have NPT ports and include Viton seals. Other seal types are available as an option. BSPT and BSPP port types are also available.

The housings are free from welds and comply with NACE MR-01-75 and are CE marked in accordance with PED 97/23/EC.

These housings can also be supplied in a wide range of exotic materials, such as Hastelloy, Monel, Titanium etc.



Technical Specifications

Housing Model	SV127.111	SV127.221
Port Size	1/8" NPT	1/4" NPT
Drain	1/8" NPT	1/4" NPT
Maximum Pressure, Bar (1)	350	350
Maximum Temperature, °C (2)	200	200
Materials of Construction (3)		
Head, Bowl & Internals	316L SS	316L SS
Seal (4)	Viton	Viton
Filter Elements Code (5)	12.57.□	12.57.□
Principal Dimensions in mm		
Diameter	44	44
Height	105.5	105.5
Volume, cc	25	25
Weight, kg	0.65	0.65
Accessories		
Mounting Bracket	MBSV117	MBSV117

Notes

- (1) Above 200°C the pressure rating is reduced, consult us for the exact rating at any specific temperature
- (2) Maximum temperature 200°C using standard seal. For temperatures up to 324°C use a Chemraz seal
- (3) Material abbreviations, 316L SS = 316L Stainless Steel
- (4) Add suffix for other seal types, Chemraz = .C, Nitrile = N, Kalrez = .K, EPDM = .E, Silicone = .S, (e.g. SV117.221.E)
- (5) Replace the □ with the grade required, e.g. 12.32.5CK